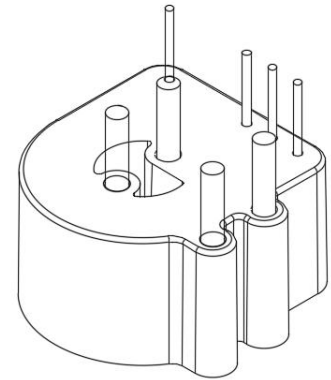


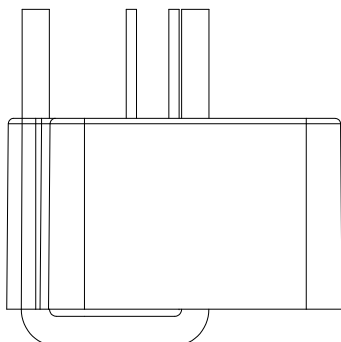
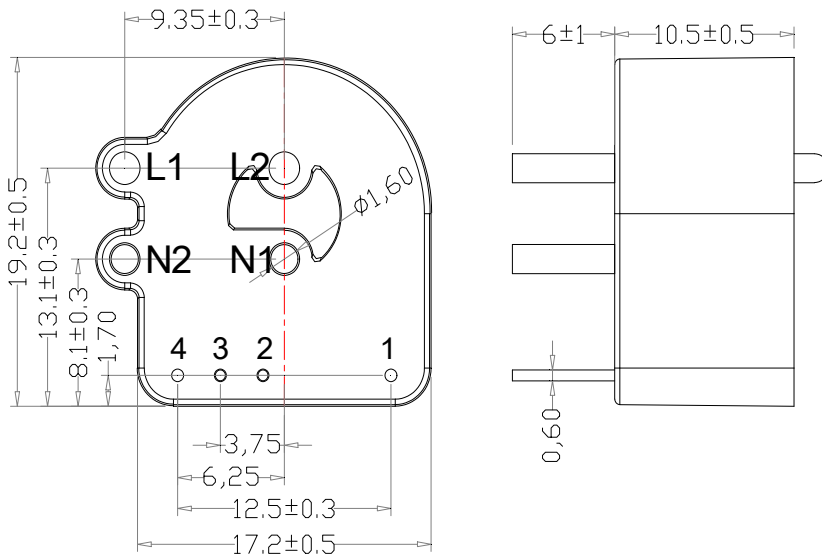
The ECD19-G series are Zero-phase current transformers. The CT is Small size, PCB mounting and low cost



Electrical Specifications

Rated Current(Amp.) 50/60Hz	30nom
Turns Ratio	$N_p:N_{s1}:N_{s2}=1:5:1000$
DCR @ 20 °C (2-3)	35Ω Max.
Secondary Output (mV)	23-27 @ $I_o=25mA, R_L=1K\Omega$
Operating Temp.	-40~65°C
Storage Temp.	-40~85°C
Hi-pot	4KV/1mA/1min

Mechanical Dimensions in mm



APPLICATIONS

- Residual current circuit breaker (RCCB)
- Earth leakage circuit breaker (ELCB)
- Ground fault circuit interrupter (GFCI)
- Appliance leakage circuit breaker interrupter (ALCI)
- ZCT for energy storage system (ZCT's)

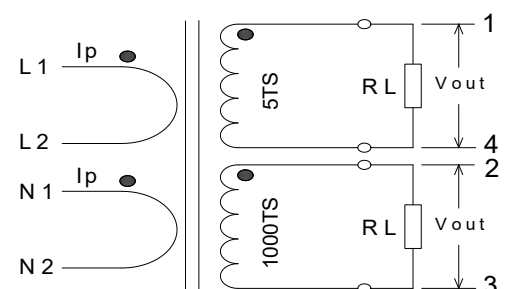
FEATURES

- PCB Mount
- Rigid case with UL 94V-0 durable plastic
- Output Terminal: 4PIN $\Phi 1.6/4PIN \Phi 0.6$
- Approximate weight 6.5g
- ANSI C57.13 and IEC61869-2 Standards

Advantage

- Small size
- Low cost
- Excellent linearity over the whole range
- Fully RoHS Compliant

Connections Diagram





Change History

Date	Rev	Author	Description
9/29/2021	V0	Henry	Original

CUSTOMER APPROVED

Approved by	Checked by	Acknowledged by

CUSTOMER P/ N(VER): _____