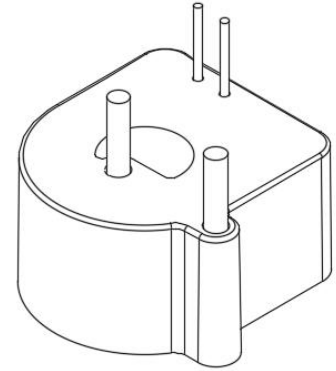


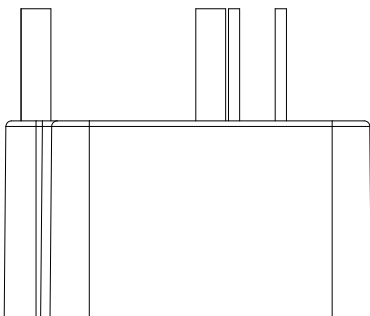
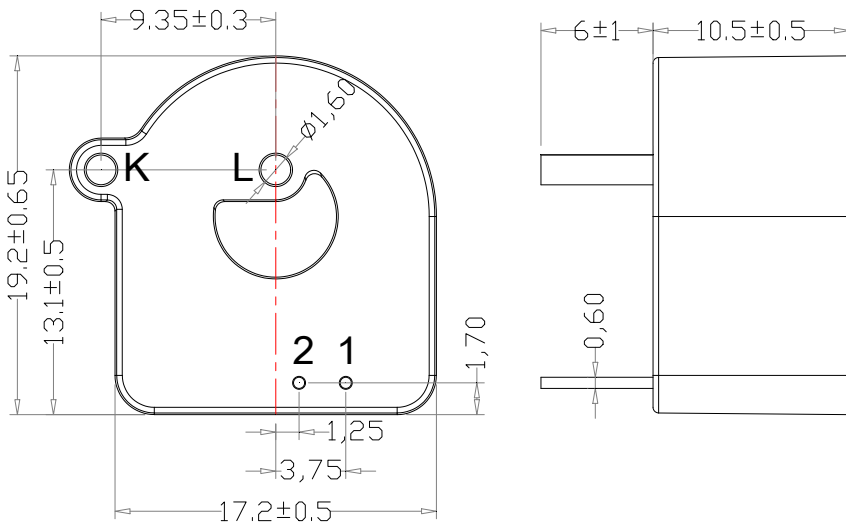
The ECD19 series are mini-precision current transformers. The CT is Small size, PCB mounting and low cost



Electrical Specifications

Rated Current(Amp.) 50/60Hz	20nom(0.5~30A max)
Turns Ratio	Np:Ns=1:2500
Current Ratio	20A/8mA
Accuracy @RL ≤ 10Ω	0.5%
Phase Error at Rated Current	≤30'
Operating Temp.	-40~65°C
Storage Temp.	-40~85°C
Hi-pot	4KV/1mA/1min

Mechanical Dimensions in mm



APPLICATIONS

- Current Measurement
- Monitoring & Protection
- Energy and sub-metering products
- Network equipment
- Instruments and sensors
- Control systems

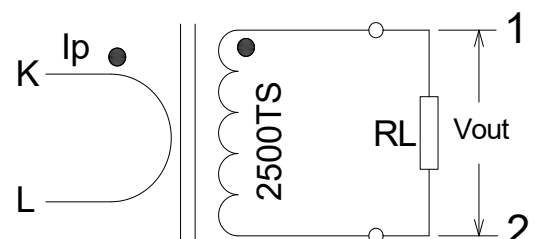
FEATURES

- PCB Mount
- Rigid case with UL 94V-0 durable plastic
- Output Terminal: 2PIN Φ1.6/ 2PIN Φ0.6
- Approximate weight 6g
- ANSI C57.13 and IEC61869-2 Standards

Advantage

- Small size
- Low cost
- Excellent linearity over the whole range
- Fully RoHS Compliant

Connections Diagram





Change History

Date	Rev	Author	Description
9/29/2021	V0	Henry	Original

CUSTOMER APPROVED

Approved by	Checked by	Acknowledged by

CUSTOMER P/ N(VER): _____