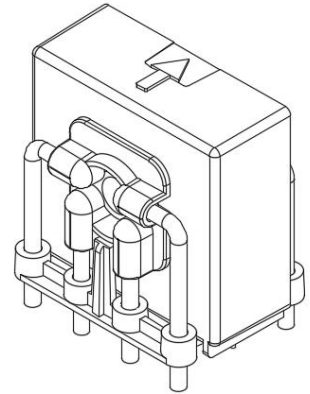


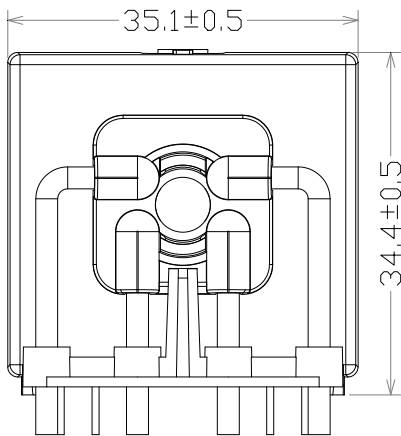
The ECD35-G series are Zero-phase current transformers. The ZCT is small size, PCB mounting and low cost



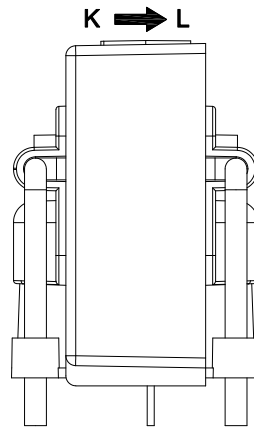
Electrical Specifications

Rated Current(Amp.) 50/60Hz	50nom
Turns Ratio	Np:Ns1:Ns2=1:5:100
DCR @ 20 °C (2-3)	6Ω Max.
Secondary Output (mV)	3 min. @Io=10mA, RL=1KΩ
Operating Temp.	-40~65°C
Storage Temp.	-40~85°C
Hi-pot	4KV/1mA/1min

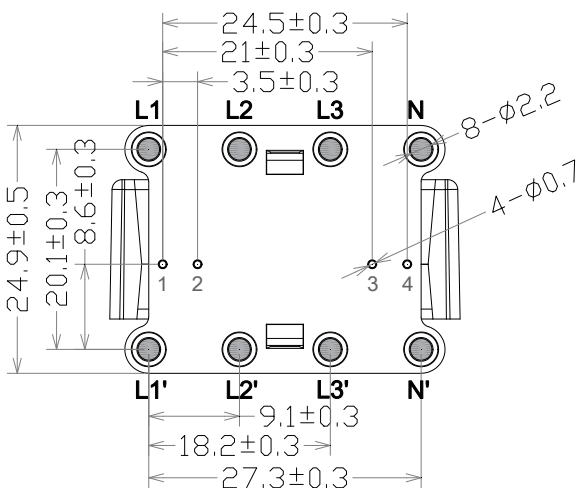
Mechanical Dimensions in mm



Front View



Right View



Bottom View

APPLICATIONS

- Residual current circuit breaker (RCCB)
- Earth leakage circuit breaker (ELCB)
- Ground fault circuit interrupter (GFCI)
- Appliance leakage circuit breaker interrupter (ALCI)
- ZCT for energy storage system (ZCT's)

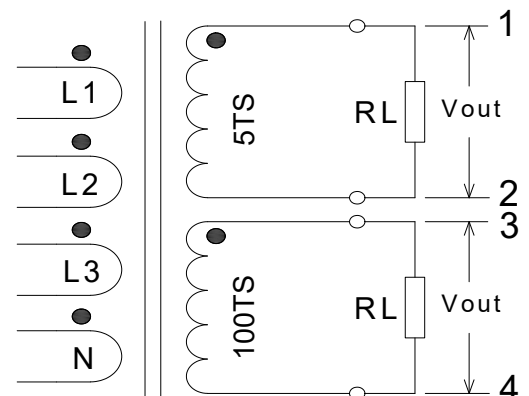
FEATURES

- PCB Mount
- Rigid case with UL 94V-0 durable plastic
- Output Terminal: 4PIN $\Phi 2.2/4PIN \Phi 0.7$
- Approximate weight 25g
- ANSI C57.13 and IEC61869-2 Standards

Advantage

- Small size
- Low cost
- Excellent linearity over the whole range
- Fully RoHS Compliant

Connections Diagram





Zero-phase Current Transformer Type ECD3550-T01-G

Change History

Date	Rev	Author	Description
12/03/2021	V0	Henry	Original

CUSTOMER APPROVED

Approved by	Checked by	Acknowledged by

CUSTOMER P/ N(VER): _____